

## BGR120S and BGR120M Compact Boarding Gate Readers

# ACCESS KEYBOARDS

Access' BGR120M Boarding Gate Reader (BGR) combines a motorised 4 track ATB2 reader with a high speed omni-directional bar code imager to provide a cost-effective rugged solution for demanding airport gate reading applications. A two line user display, bright LED indicators and a programmable sounder provide operator feedback and ensure that passenger processing can be efficiently completed at the gate.

Highly modular, a further build option includes the BGR120S, the world's first boarding gate reader designed to solely accept bar coded documents. This is intended for airports that have already converted to non-ATB2 encoded documents. A kit is available to convert a BGR120M to BGR120S when the transition period ends and ATB2 documents finally disappear.

### **BGR120S series features:**

- Full BGR functionality
- Bright VFD 2 x 16 character display
- Fast, omni-directional 1D/2D imager
- Reads on presentation of a document
- Reads IATA recommended PDF417, 2D and linear symbologies
- Large document throat allows home printed A4 documents to be readily scanned
- Able to read 2D barcode images on PDA and cell phone displays
- Wide range of emulations available
- Single RS232 cable connection to host
- FLASH upgradeable software
- Green and red indicator beacons and audio beeper



**BGR120S Fixed position omni-directional bar code reader with BGR functionality**

### **BGR120M series features:**

- Motorised 4 track ATB2 reader with BGR120S functionality
- Compact and robust metal construction
- IATA ATB2 722C format T1, T2, T3, T4
- Dual magnetic heads can read document in either orientation face up
- Latching document channel may be easily opened in the event of a jam by agent or non-technical personnel
- Reject button to retract jammed or non-decoded documents
- Highly serviceable with ease of access to major components
- Options for a document bin, quick release bracket, and a BGR120S conversion kit
- Interface includes a RJ45 port for connection of serial thermal printers, keypads and auto gate functions



**BGR120M motorised ATB2 and bar code boarding gate reader**



All Trade marks Acknowledged

## Application

The BGR120 series readers are designed for efficient processing of airline passenger boarding gate documents. The **BGR120S** device integrates a bar code imager with a user display and provides a low cost, compact BGR capability for airport applications where ATB2 documents are no longer used. The **BGR120S** solution is the perfect device to meet IATA 'Simplifying the Business' initiative to eliminate all ATB2 encoded documents by end 2009. The **BGR120M** device combines the **BGR120S** functionality with a fast motorised ATB2 document reader, designed for those applications where either ATB2 or 2D printed documents are used for passenger processing at the gate.

Common Use and dedicated protocols are supported and the BGR 120 series can be adapted to add a new host or to support special dedicated formats. To ensure flexibility for the future, new firmware can be down-loaded to the unit. The BGR120S and BGR120M support AEA/PECTAB formatting.

## Specification

### Bar code reader

High-performance omni-directional 1D/2D imager

**Compliance:** AEA2006

**1D symbologies:** Code 128. Code 2 of 5, Interleaved 2 of 5, IATA 2 of 5, Code 39

**2D symbologies:** PDF417, Aztec, Datamatrix and QR codes  
Will also read from PDA and cell phone displays

**Performance:** Less than 1 second read capability

**Construction:** Compact and durable ABS enclosure with no moving parts

### Motorised MSR reader (BGR120M model)

**Compliance:** IATA ATB2 722C format T1, T2, T3 & T4. AEA2002/PECTAB formatting

**Document types:** Handles ATB tickets 8" and 7 3/8", ATB Wallet and ATB2 boarding pass (with or without stubs) face up

**Processing time:** Document processing/read less than 2 seconds

**Magnetic head:** Dual magnetic heads. Life expectancy up to 1 million reads per head



**BGR120M with 2D Aztec bar code on cell-phone**

### Passenger/agent displays

**Display:** Bright VFD 2 x 16 characters

**Visible/audible:** Green (good read) and red (bad read) indicator beacons and audio beeper. Programmable capability

### Interface

RS232C Baud rates 9600 and 19200

RJ45 port for thermal receipt printer or keypad or auto boarding gate applications. With receipt printer connected the unit can print seat/flight/PAX data from an inserted ATB 2 document or from host commands.

### Power supply

BGR120S : DC 9-15 Volts input BGR120M : DC 12 Volts input  
AC universal power adapter supplied

### Protocols Supported

SITA CUTE NT and APC, ARINC iMuse, RESA CREWS, SABRE EGR

### Environmental

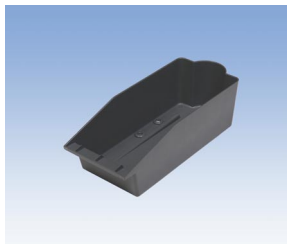
#### Temperature

**Operating:** 0°C to +50°C

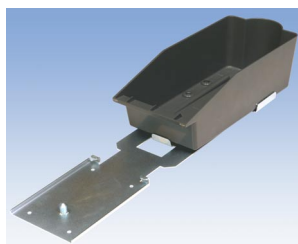
**Storage:** 0°C to +60°C

**Humidity:** 0 to 95%, non-condensing

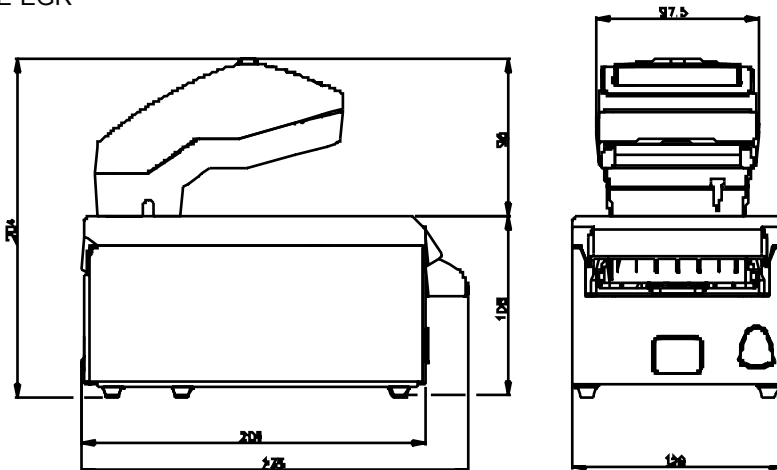
### Accessories



**Document Bin**



**'Quick' Release Bracket with Document Bin**



**BGR120M dimensions**

## Access Keyboards Limited

18 Suttons Business Park, Reading, Berks.RG6 1AZ, UK.

tel: +44(0)118 9663333 fax: +44(0)118 9267281

e-mail [sales@accesskeyboards.com](mailto:sales@accesskeyboards.com) web [www.accesskeyboards.com](http://www.accesskeyboards.com)